

1

2

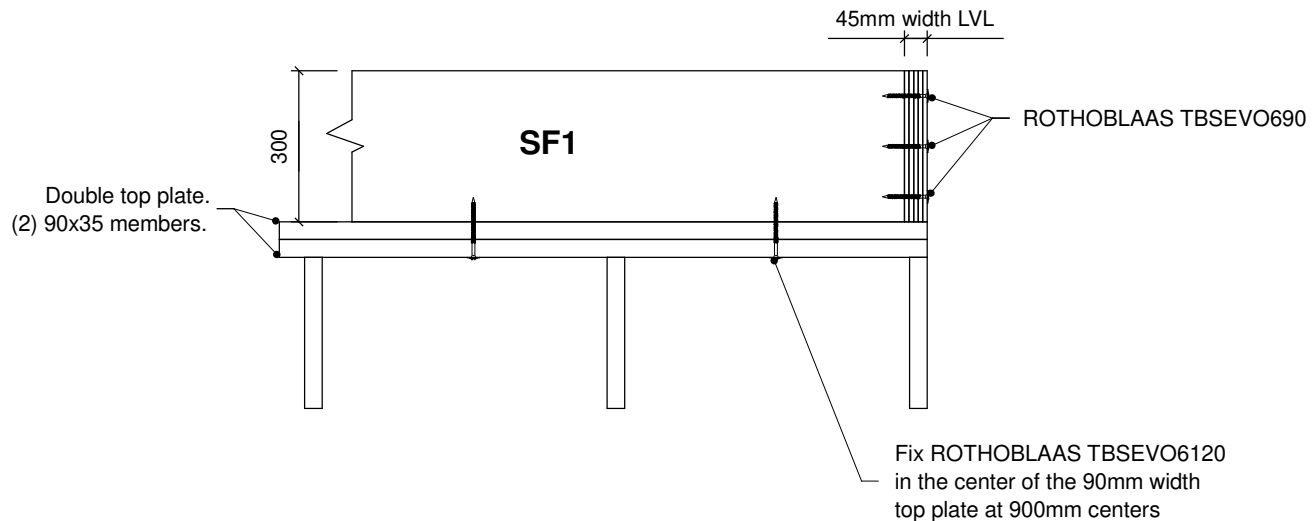
3

4

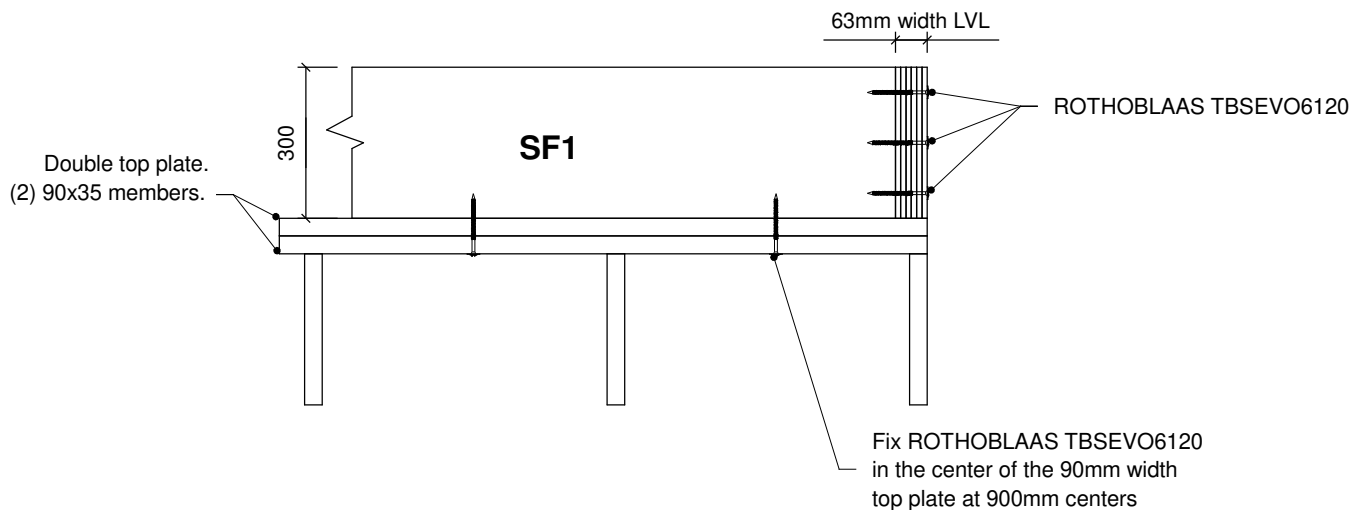
5

6

### OPTION 1 - 45mm width LVL



### OPTION 2 - 63mm width LVL



your partner for engineered timber solutions

DATE CREATED: 16/06/2021

TITLE:

NOTES:

**Private Confidential & Copyright**

This drawing is the exclusive property of Dindas Australia. Copyright & all rights reserved. You hereby agree and undertake that you will not in anyway utilize, copy reproduce or take advantage of the drawing (or any part thereof) and disclose any information to other parties without the written consent of Dindas Australia.

SIZE  
A4

SCALE  
N.T.S

**DINDAS AUSTRALIA**  
ENGINEERING DIVISION

DRAWN BY: B.S

CHECKED BY: --

DWG REV: --

433 Wondall Road, Tingalpa 4173, Queensland

SF1

1. Dimensions are in millimetres.
2. Tolerance on all dimensions to be +/- 0.5mm unless noted otherwise.
3. Written dimensions take precedence over scaled dimensions.

1

2

3

4

5

6